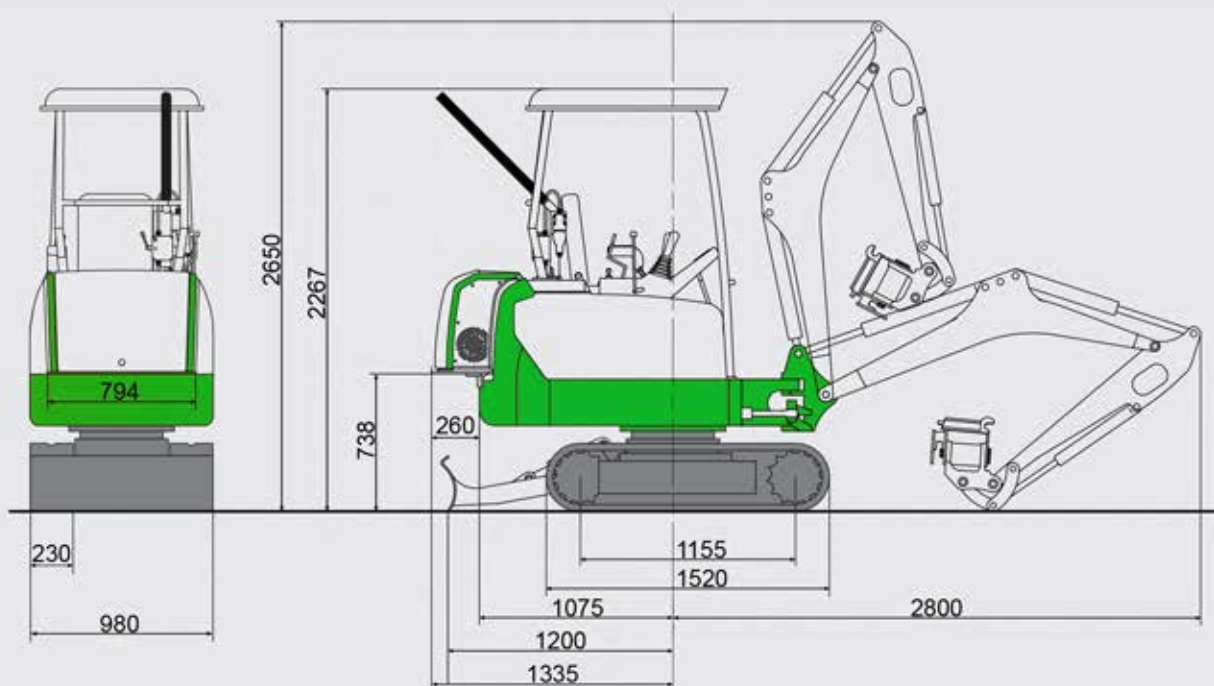


# HYBRID EXCAVATOR

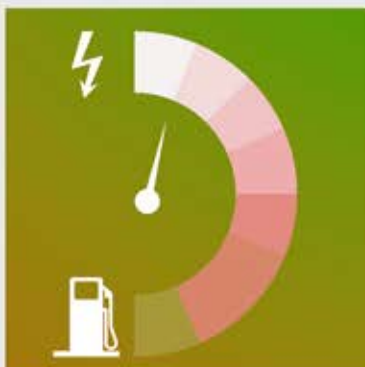
The TB 216 is a powerful hybrid excavator ideal for gutting, renovation and demolition work in confined or soundproof environments. In addition to the conventional diesel engine, the TB 216 has an electric motor (power-supply 400V/32A) and so can be operated 100 percent emission-free.



## TECHNICAL DATA



|                          |                           |
|--------------------------|---------------------------|
| ▸ Total weight:          | 1940 kg                   |
| ▸ Output diesel engine:  | 11.1 kW/2400 rpm          |
| ▸ Output electric motor: | 10.6 kW/2400 rpm          |
| ▸ Electrical connection: | 400 V/50 Hz Safeguard 32A |



### ELECTRIC MOTOR

The high voltage connection allows for 100% emission-free use with full functionality and increased performance.

### DIESEL ENGINE

The original diesel engine remains intact. Thus, the machine can also be used as usual and problem-free transport to the site is made possible.

### ecoPLANT

small machines, powerful results

Ecoplant provides sales and rental of electric and hybrid machinery

Ecoplant  
Dublin Road  
Ballybrittas  
Co. Laois  
+353 57 862 6669  
info@ecoplant.ie